



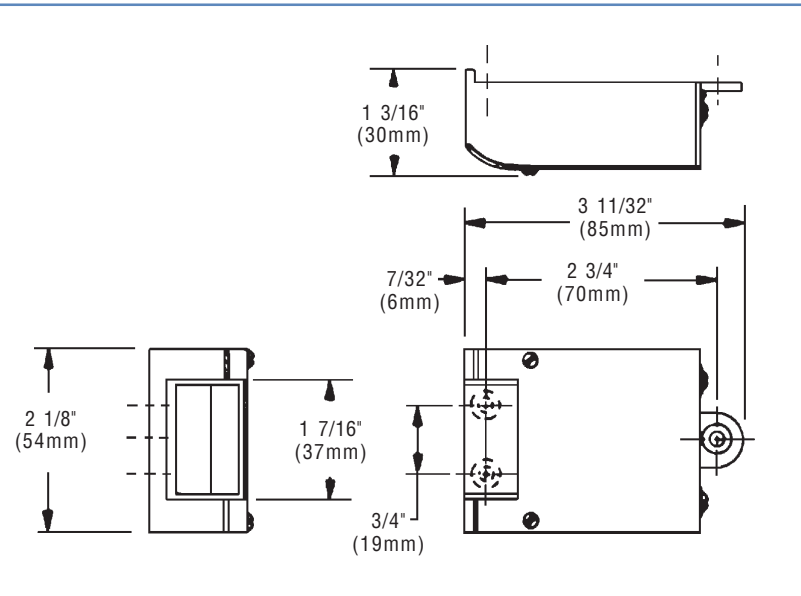
# Door Opener

## 152 Series

- Brass nosing
- Easy surface installation
- Rugged, heavy duty construction
- For surface mount installations
- Used in control systems and night latches

The Catalog 152 rim type door opener is a dependable long service device, providing the security and convenience of remote control door-lock operation. The door remains locked until the opener is electrically actuated by a remote contact device. For AC models, use with either a 598 Transformer. See below table and Transformer Catalog Page 11-2

For use in apartments, offices, banks, industrial buildings, schools, and institutions. Use in door interlocking and control systems with timed or manual operation.



Cat. No.	Voltage	Amps	Transformer
152-AE	4 - 6V DC	1.3 - 2.7	—
	8 - 16V AC		590
152-G1	24V DC	.19	—
152-G5	24V AC	1.40	599

D-04